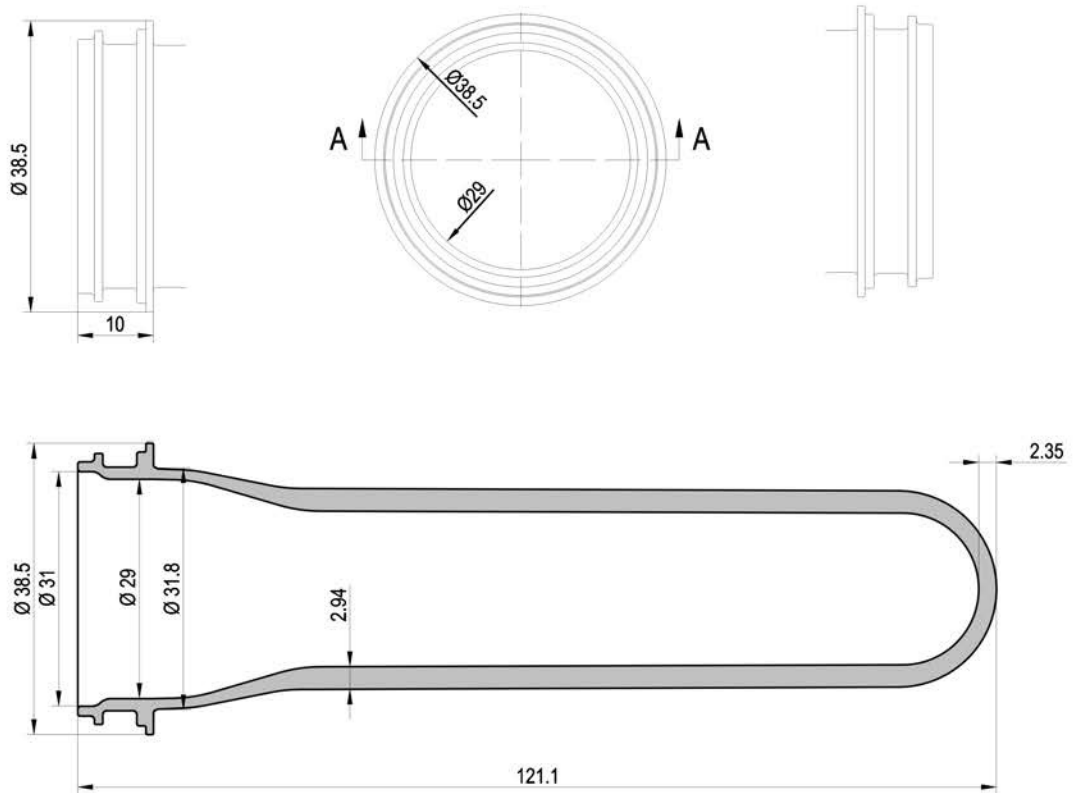


# Preform 36-29 - 33 g



## TECNICAL SPECIFICATION

<b>DESCRIPTION</b>	PREFORM 36-29-33 g
<b>NECK TYPE</b>	"36-29 mm"
<b>WEIGHT</b>	33 g
<b>NECK WEIGHT</b>	3 g



**MATERIAL** PET / R - PET

**SPECIFIC WIEGHT** 1.335 g/cm<sup>2</sup>

**PACKAGING** Pallet 100x120 cm - 120x120 cm  
 Octabin 120x120x118 cm - 100x120x118 cm  
 Polyethylene bag 200x250 cm - 190+20+20x250 cm

**STORAGE** Store the product in a dry place not exposed to sunlight  
 Maximum number of stackable Octabins 3  
 Before use, store for 24 hours in a room at a temperature between 18 ° -40 ° C  
 Use the product within 12 months from the date of receipt

**NOTE**